

PENN STATE UNIVERSITY
Department of Mechanical & Nuclear Engineering

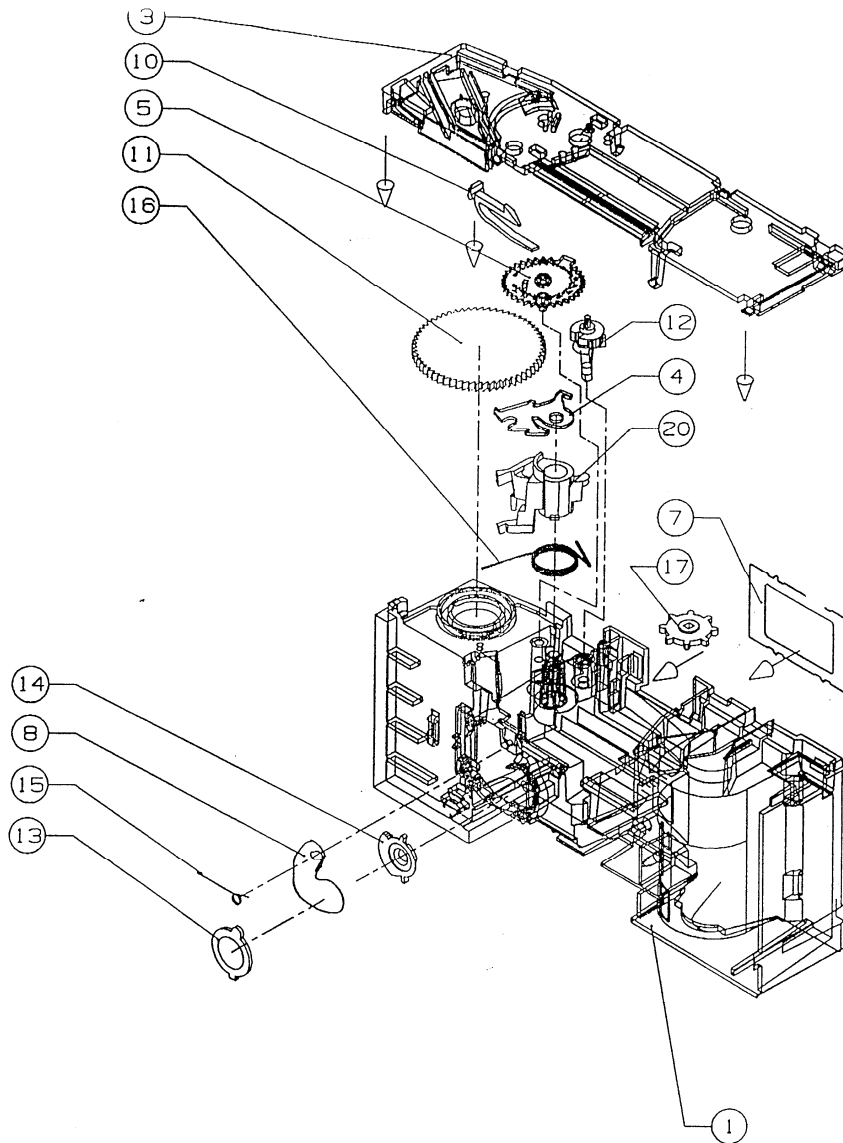
ME240

PRODUCT DISSECTION: APPLIANCES

ME106S



Assembly Drawing and Parts Lists



KEY	PART NAME	PART #	MAT'L DESCRIPTION
1	FRAME	783390	P1023 KAD COLOR CODE 200: POLYSTYRENE,MODIFIED, BLACK
2	ELECTRONIC SUB-ASSEMBLY	783764	-----
3	TOP COVER	783389	P1023 KAD COLOR CODE 200: POLYSTYRENE,MODIFIED, BLACK
4	METERING LEVER	254508	0.762mm±0.05mm EK-207 COLD ROLLED BRASS STRIP
5	COUNTER WHEEL	254512	P1295 KAD COLOR CODE 200: POLYPROP., BLACK, 40% TALC
6	FRONT COVER	783387	P1023 KAD COLOR CODE 200: POLYSTYRENE,MODIFIED, BLACK
7	REAR BAFFLE	254509	0.254mm EK63 COLD ROLLED STEEL
8	SHUTTER BLADE	254501	0.178mm±0.009mmEK-122, COLD ROLLED STAINLESS STEEL STRIP
10	TRIGGER LATCH	783391	P1040 KAD COLOR CODE 200: POLYCARB., MODIFIED, BLACK
11	THUMBWHEEL	254510	P1023 KAD COLOR CODE 200: POLYSTYRENE,MODIFIED, BLACK
12	CAM	254504	P1023 KAD COLOR CODE 200: POLYSTYRENE,MODIFIED, BLACK
13	TAKING LENS	642479	P1044 KAD COLOR CODE 100: ACRYLIC, (PMMA) MODIFIED, OPTICAL GRADE, ROHM & HAAS
14	FRONT BAFFLE	254511	P1023 KAD COLOR CODE 200: POLYSTYRENE,MODIFIED, BLACK
15	SHUTTER SPRING	259789	EK-127, STAINLESS STEEL, 0.15mm DIA. WIRE
16	HIGH ENERGY LEVER SPRING	255891	EK-127 STAINLESS STEEL WIRE
17	SPROCKET	254503	P1023 KAD COLOR CODE 200: POLYSTYRENE,MODIFIED, BLACK
20	HIGH ENERGY LEVER	255890	P1040 KAD COLOR CODE 200: POLYCARB., MODIFIED, BLACK